

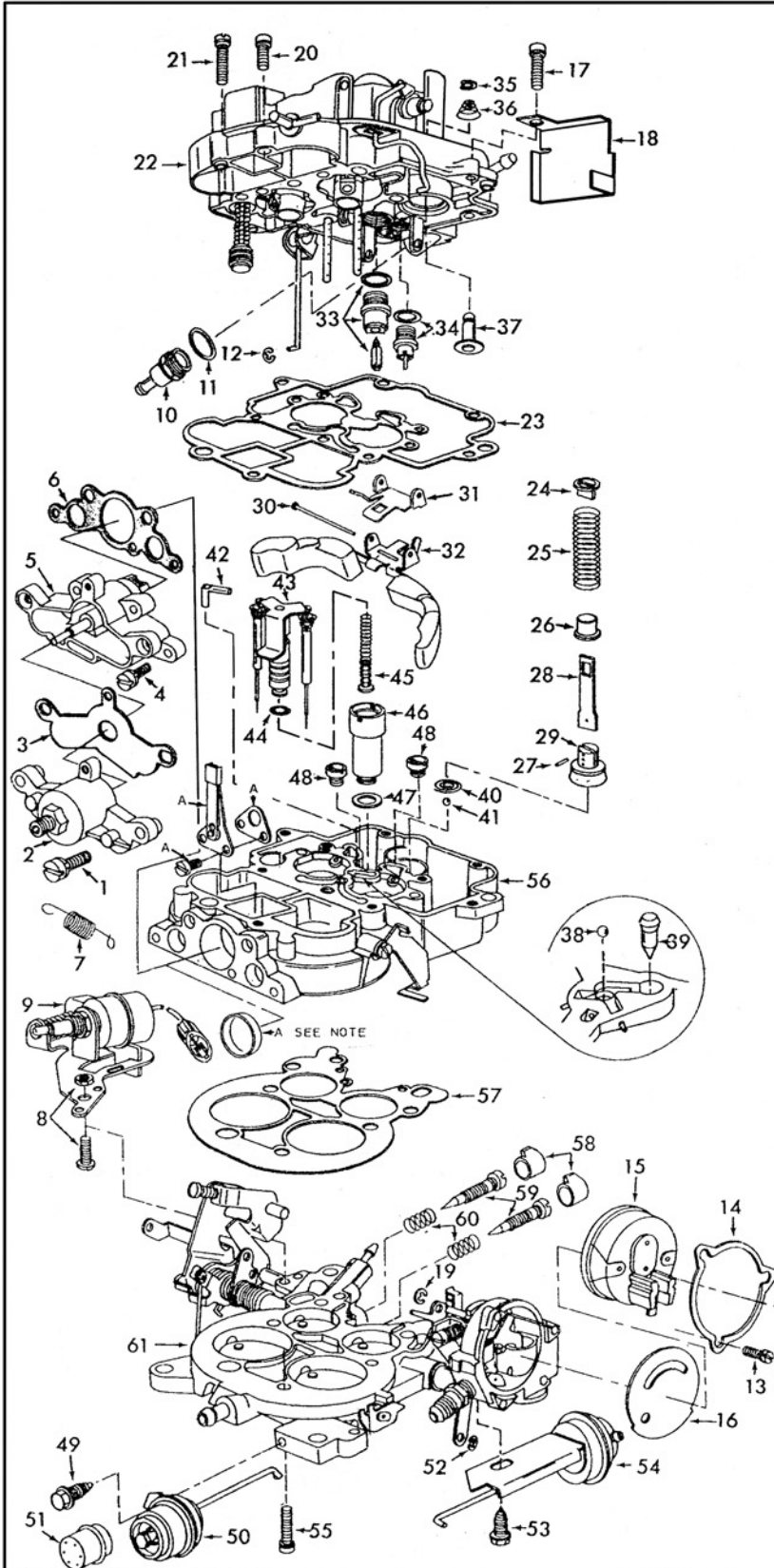
INSTRUCTION SHEET

MOTORCRAFT CARBURETOR-MODEL 4350

08050-495-5

GENERAL EXPLODED VIEW

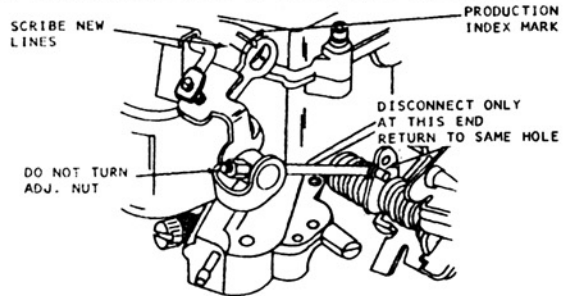
THE GENERAL DESIGN AND PARTS SHOWN WILL VARY TO INDIVIDUAL UNITS COVERED ON THIS INSTRUCTION SHEET



NOTE A: SOME LATE CARBURETORS HAVE A HOT IDLE COMPENSATOR VALVE. TO REMOVE, THE LARGE PLUG MUST BE CAREFULLY KNOCKED OUT. (DO NOT DAMAGE PLUG, IT WILL BE USED OVER.)

DISASSEMBLY

USE EXPLODED VIEW AS A GUIDE. THE NUMERICAL SEQUENCE MAY GENERALLY BE FOLLOWED TO DISASSEMBLE UNIT FAR ENOUGH TO PERMIT CLEANING AND INSPECTION. CAUTION: BEFORE DISASSEMBLY, THROTTLE SET AT FAST IDLE POSITION (FAST IDLE SCREW ON THE TOP STEP OF FAST IDLE CAM.) SCRIBE A NEW INDEX LINE AS SHOWN. DO NOT USE PRODUCTION INDEX MARK ON CARBURETOR (FOR MANUFACTURING REFERENCE ONLY.) FOR NORMAL SERVICE THE THROTTLE LINK NEED ONLY BE DISCONNECTED AT LOWER END. (DO NOT CHANGE LENGTH OF LINK. IT IS NOT A PUMP ADJUSTMENT.)



1976-78 BEFORE REMOVAL OF VACUUM PISTON & METERING ROD ASSY. (43). PRESS DOWN LIGHTLY AND MEASURE THE CLEARANCE BETWEEN THE HANGER AND TOP OF VACUUM CYLINDER (SEE FIG. 1.) IDLE LIMITER CAPS CAN BE REMOVED BY INSTALLING A SHEET METAL SCREW IN THE CENTER OF CAP AND TURNING CLOCKWISE. ALL CARBURETORS DO NOT HAVE AN ALTITUDE COMPENSATION ASSEMBLY. UNIT IS FACTORY ADJUSTED AND NO SERVICE ADJUSTMENT IS PERMITTED. POPPET VALVE ASSEMBLY (5) CAN BE CLEANED.

NOMENCLATURE

REF. NO.	NOMENCLATURE	REF. NO.	NOMENCLATURE
1.	SCREW & LOCKWASHER (3)- ANEROID ASSY.	32.	FLOAT & LEVER ASSY.
2.	ANEROID ASSY.	33.	NEEDLE & SEAT ASSY.- PRI.
3.	GASKET- ANEROID ASSY.	34.	NEEDLE & SEAT ASSY. SUPP.
4.	SCREW & LOCKWASHER (3)- POPPET VALVE ASSY.	35.	RETAINER- BOWL VENT SPRING
5.	POPPET VALVE ASSY.	36.	SPRING- BOWL VENT VALVE
6.	GASKET- POPPET VALVE ASSY.	37.	VALVE- BOWL VENT
7.	SPRING- LEVER RETURN	38.	BALL- PUMP VENT CHECK (SMALL)
8.	SCREW & NUT- THROTTLE POSITIONER	39.	NEEDLE- PUMP DISC. CHECK
9.	SOLENOID ASSY.- THROTTLE POSITIONER	40.	RETAINER- PUMP INLET CHECK BALL
10.	INLET FITTING & FILTER ASSY.	41.	BALL- PUMP INLET CHECK
11.	GASKET- INLET FITTING	42.	RETAINER- VACUUM PISTON ASSY.
12.	RETAINER- PUMP LINK	43.	VACUUM PISTON & METERING ROD ASSY.
13.	SCREW (3)- CHOKE COVER RETAINER	44.	O-RING- VACUUM PISTON
14.	RETAINER CLAMP- CHOKE COVER	45.	SPRING & GUIDE VACUUM PISTON
15.	CHOKE COVER ASSY.	46.	CYLINDER- VACUUM PISTON
16.	GASKET- CHOKE COVER	47.	GASKET- VACUUM CYLINDER
17.	SCREW & LOCKWASHER- SHIELD	48.	JETS- MAIN METERING
18.	SHIELD- CHOKE	49.	SCREW- CHOKE MOTOR ASSY.
19.	RETAINER- CHOKE ROD	50.	CHOKE PULLDOWN MOTOR ASSY.
20.	SCREW & LOCKWASHER (8)- UPPER BODY	51.	FILTER- CAP
21.	SCREW & LOCKWASHER (1)- UPPER BODY (LONG)	52.	RETAINER- THROTTLE POSITIONER ROD (TRUCK ONLY)
22.	UPPER BODY ASSY.	53.	SCREW- THROTTLE POSITIONER BRACKET (TRUCK ONLY)
23.	GASKET- UPPER BODY	54.	THROTTLE POSITIONER ASSY. (TRUCK ONLY)
24.	BUSHING- PUMP SPRING (UPPER)	55.	SCREW & LOCKWASHER (6)- THROTTLE BODY TO MAIN BODY
25.	SPRING- PUMP RETURN	56.	MAIN BODY ASSY.
26.	RETAINER- PIN	57.	GASKET- THROTTLE BODY
27.	PIN- PUMP PISTON	58.	CAP (2)- IDLE LIMITER
28.	STEM- PUMP	59.	NEEDLE (2)- IDLE ADJ.
29.	PUMP CUP ASSY.	60.	SPRING (2)- IDLE ADJ. NEEDLE
30.	PIN- FLOAT LEVER	61.	THROTTLE BODY ASSY.
31.	LIMITER- FLOAT DROP (SOME MODELS)		

CLEANING

CLEANING MUST BE DONE WITH CARBURETOR DISASSEMBLED. SOAK PARTS LONG ENOUGH TO SOFTEN AND REMOVE ALL FOREIGN MATERIAL. USE A CARBURETOR CLEANING SOLVENT. MAKE CERTAIN THE THROTTLE BORES ARE FREE OF ALL CARBON AND VARNISH DEPOSITS. RINSE OFF IN SUITABLE SOLVENT. BLOW OUT ALL PASSAGES IN CASTINGS WITH COMPRESSED AIR AND CHECK CAREFULLY TO INSURE THOROUGH CLEANING OF OBSCURE AREAS. CAUTION: DO NOT SOAK DIAPHRAGM OR SOLENOID ASSYS.- FLOAT OR PARTS CONTAINING RUBBER SUCH AS 2, 9, 15, 32, 37, 50, 51, 54.

REASSEMBLY

REASSEMBLE IN REVERSE ORDER OF DISASSEMBLY. NOTE SPECIAL INSTRUCTIONS AND FOLLOW NUMERICAL OUTLINE IN MAKING ADJUSTMENTS.

SPECIAL INSTRUCTIONS

IDLE ADJUSTING NEEDLES (59)- TURN EACH NEEDLE IN UNTIL LIGHTLY SEATED THEN BACK OUT 1 1/2 TURNS. (DO NOT INSTALL IDLE LIMITER CAPS AT THIS TIME.)

FLOAT LEVER PIN (30) INSTALLATION- INSTALL SO HEAD OF PIN IS ON THE PUMP SIDE.

CHOKE COVER (15)- WHEN INSTALLING BE SURE CHOKE SPRING IS PLACED IN SLOT OF VACUUM PISTON LEVER.

ADJUSTMENTS

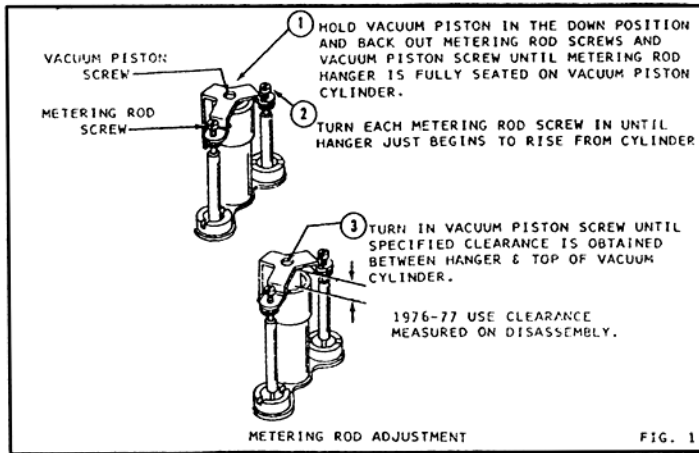


FIG. 1

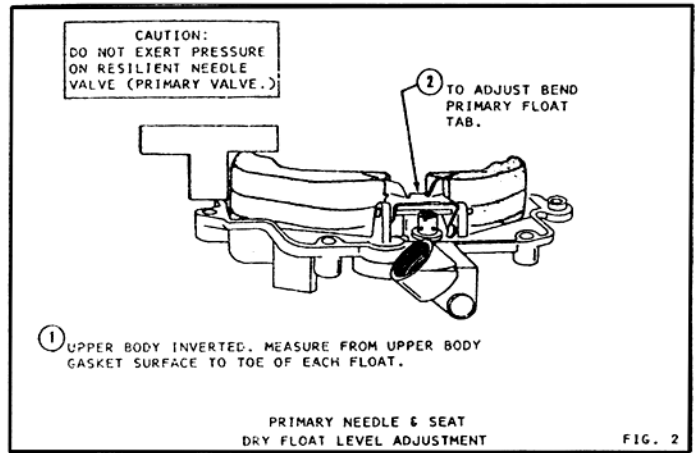


FIG. 2

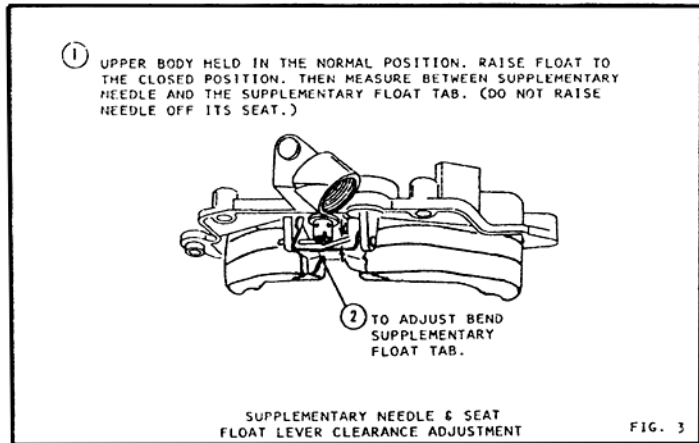


FIG. 3

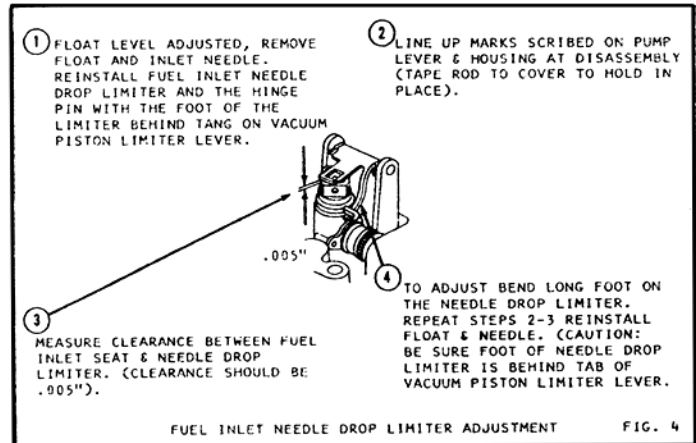


FIG. 4

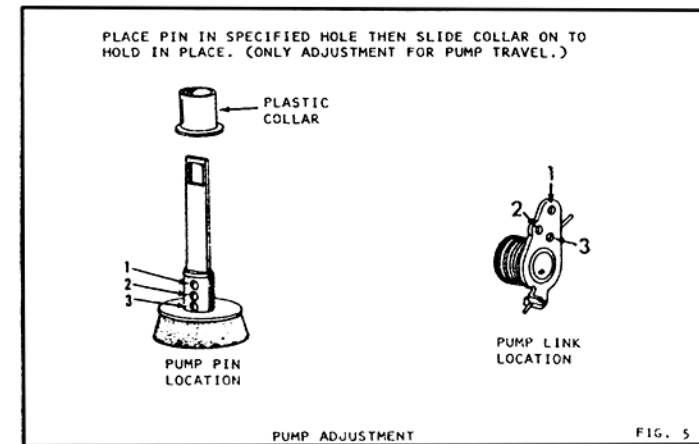


FIG. 5

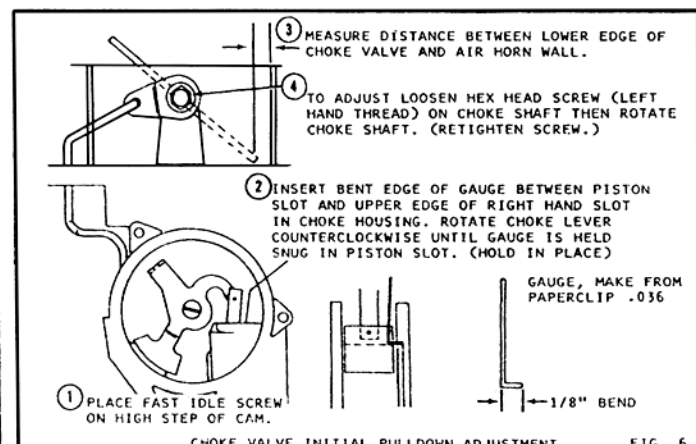


FIG. 6

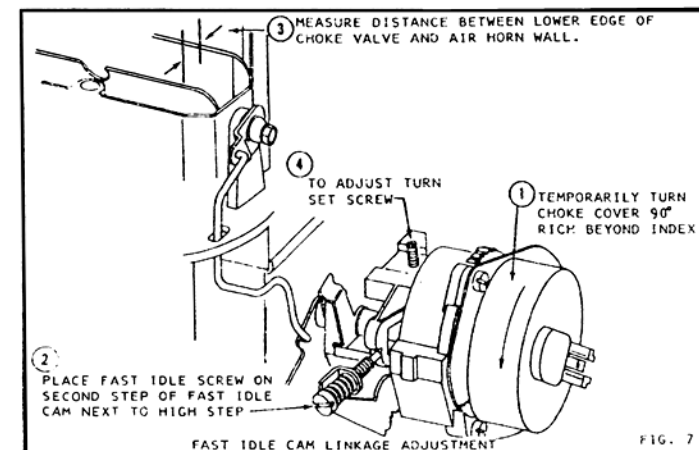


FIG. 7

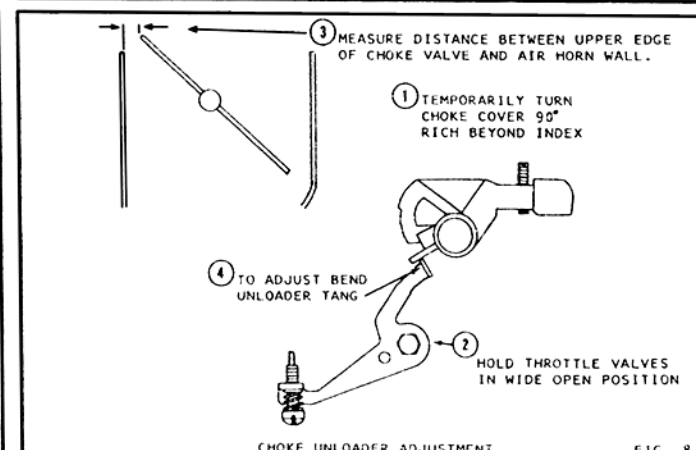
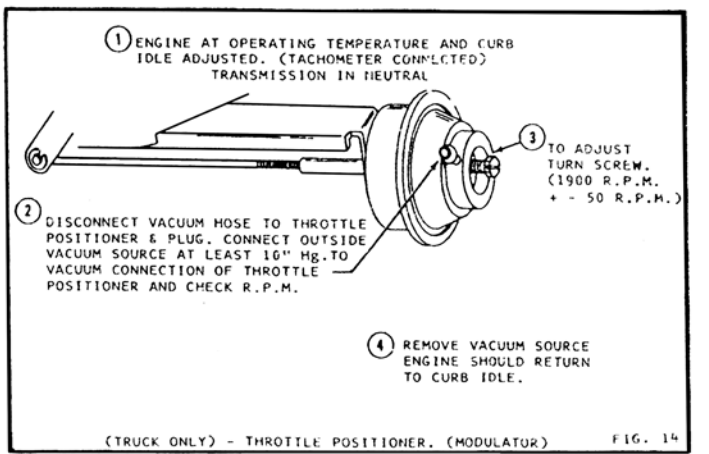
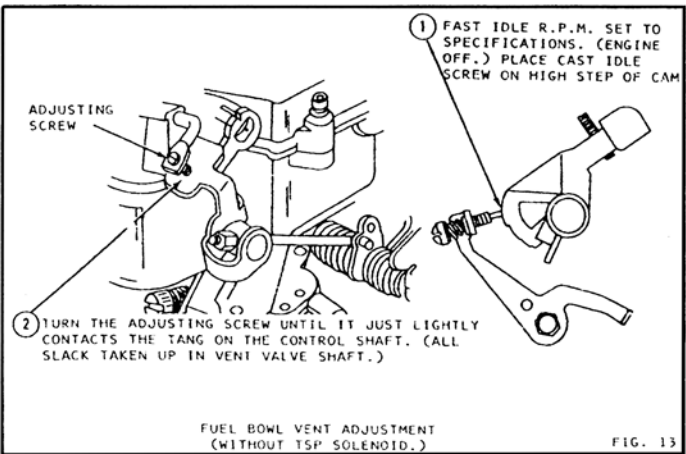
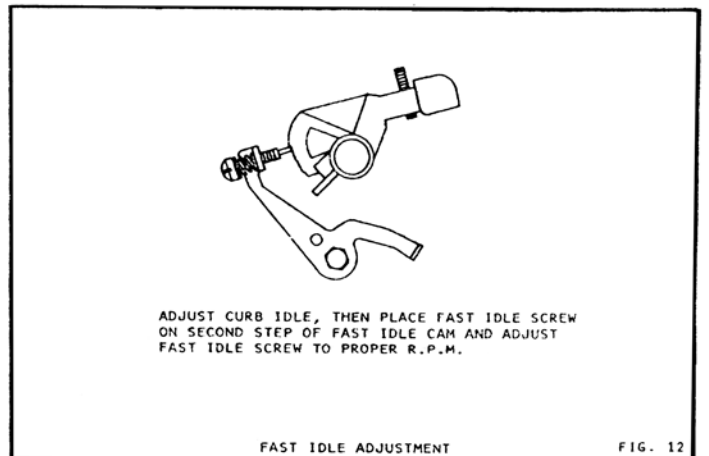
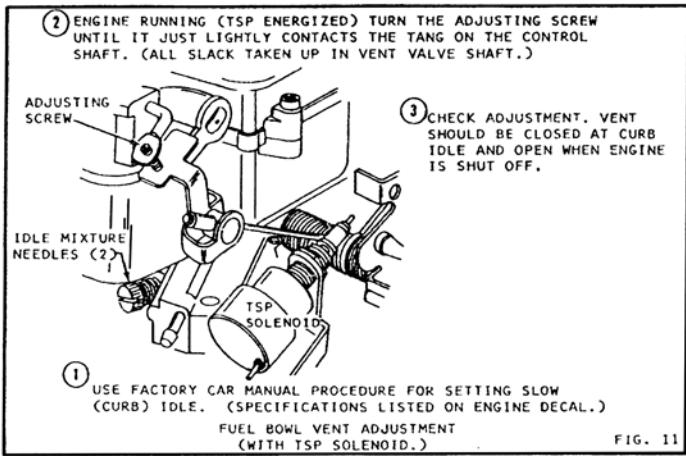
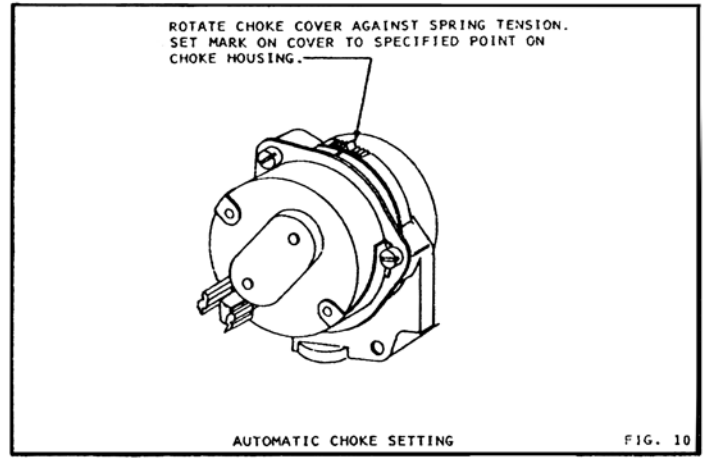
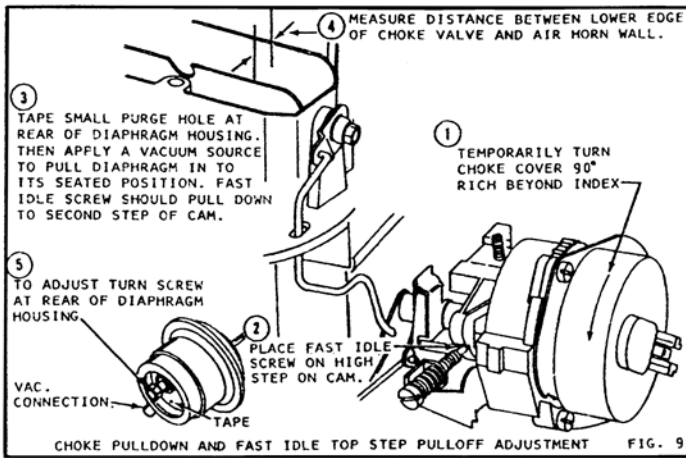


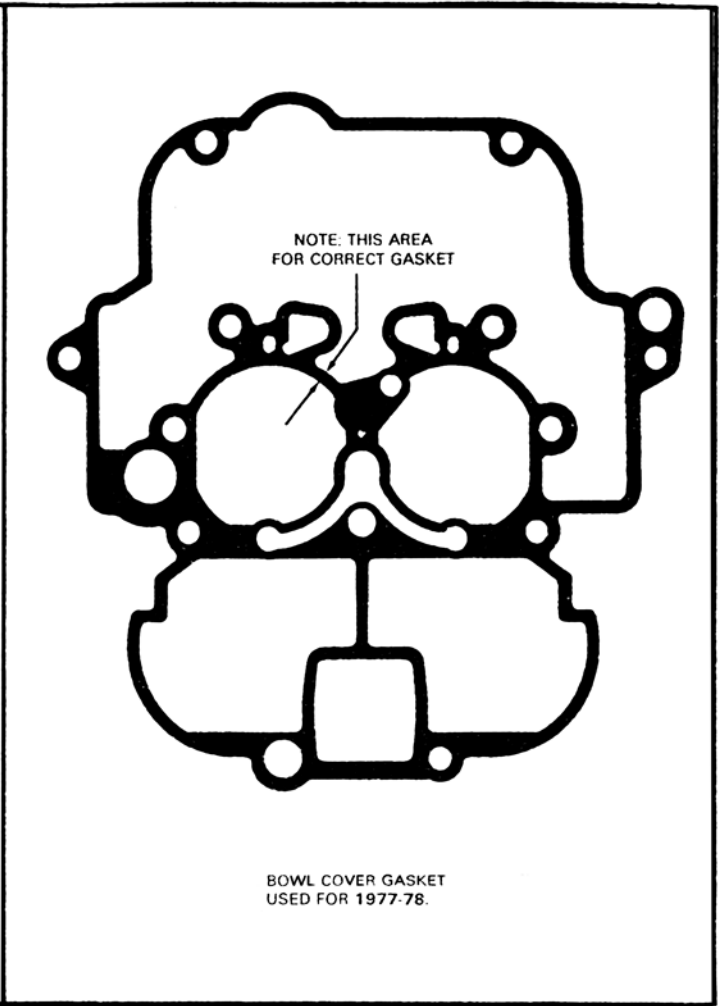
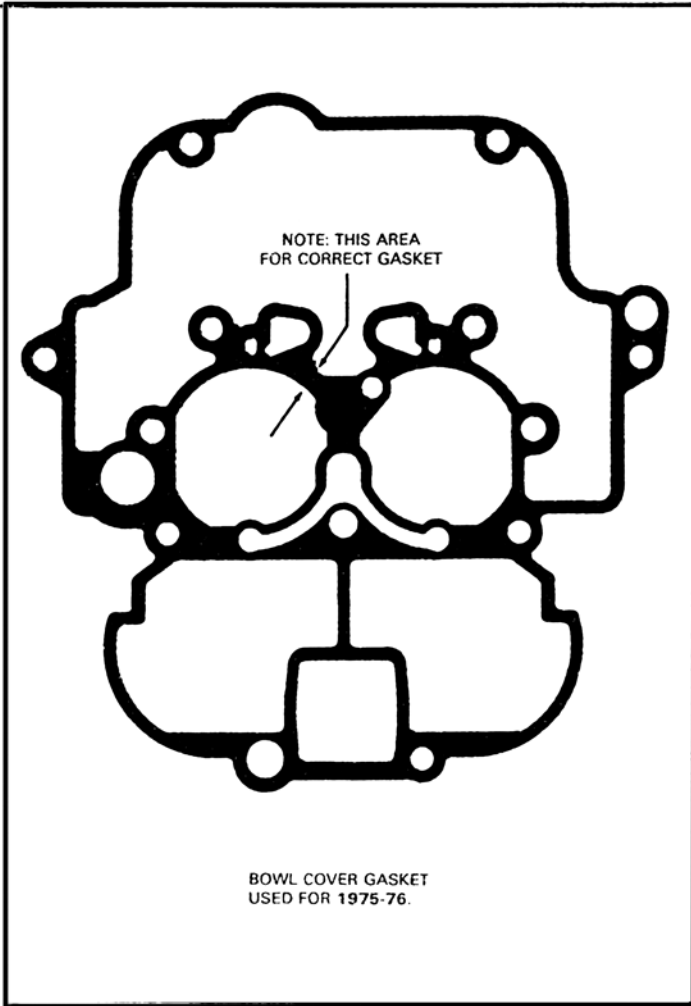
FIG. 8

ADJUSTMENTS



ADJUSTMENT DATA TABLE

YEAR	APPLICATION FORD PRODUCTS	METERING ROD	DRY FLOAT LEVEL	FLOAT LEVER SUPP.	PUMP PIN HOLE	PUMP LINK HOLE	CHOKE PULL DOWN INITIAL	FAST IDLE CAM LINKAGE	UNLOADER	CHOKE PULL DOWN DELAYED	AUTO CHOKE	FAST IDLE R.P.M.
1975	PASS CARS 460" ENG.	.120	1"	1/32"	NO. 1	NO. 2	.160	.160	.300	.190	2-RICH	1350
1976	PASS CARS 460" ENG. TRUCK 460" ENG.	----	1"	1/32"	NO. 2 NO. 3	NO. 2 NO. 2	.140-.160 .160	.140-.160 .170	.300 .300	.190-.210 ----	2-RICH INDEX	E/D E/D
1977	PASS CARS 460" ENG. CARB. NO. D7VE-MA TRUCK 460" ENG.	----	1"	1/32"	NO. 2 NO. 2	NO. 3 NO. 3	.140-.160 .140 .160	.140-.160 .140 .170	.300 .300 .300	.210 .210 .210	2-LEAN 2-RICH INDEX	E/D E/D E/D
1978	PASS CARS 460" ENG.	----	1"	1/32"	NO. 1	NO. 2	.160	.170	.300	----	INDEX	E/D
1977/78	TRUCK 460" ENG. (495.) CARB. NO. D7UE-ASA	----	1"	1/32"	NO. 2	NO. 3	.160	.160	.300	.200	INDEX	E/D
1978	TRUCK 460" ENG. CALIF. F150/250 E250	----	1"	1/32"	NO. 3	NO. 3	.160	.160	.300	----	INDEX	E/D
1978	TRUCK 460" ENG. CALIF. F350	----	1"	1/32"	NO. 2	NO. 3	.160	.170	.300	----	INDEX	E/D



**USING INCORRECT BOWL COVER GASKET CAN
RESULT IN ACCELERATOR PUMP PROBLEM.**